

Colours available from stock:
Complete the art.nr. with the indicated colour-code
01 White
03 Silver
Other colours can be delivered on request.

KS Track 10010..00 cm
Aluminium extrusion, powder coated, 20/bundle lubricated. Colours 01, 03, 05:
3 m. (9'10"), 4 m. (13'1"), 5 m. (16'4"), 6 m. (19'8"), 7 m. (23'). Colours 5 m. only: 02, 06, 11, 12, 13, 21, 22, 23, 24.

Carrier 10100..000 500/box
"Clickable", offset, constructed of UV resistant plastic. 10 Carriers on a break-away strip. Can be clicked in after installation. Colours: 01, 02, 03, 05, 06, 12.

Stopcarrier 10102..000 250/box
Prevents slide back, "clickable", constructed of UV resistant plastic. Colours: 01, 02, 03, 05, 06.

Master Carrier/Reversible 1010301000 25/box
Reversible overlap carrier, "Clicks" into track, constructed of UV resistant plastic. For straight track only. Colours: 01.

Shirrtape Carrier 10104..000 500/box
Carrier and hook in one "clickable" unit, constructed of UV resistant plastic. For sew on drapery tape. Colours: 01,02,03,05.

Carrier with Metal Hook 10105..000 100/box
"Clickable", offset, with stainless steel hook, constructed of UV resistant plastic. For use with grommets. Colours: 01, 02, 03, 05, 06.

Twist End Stop 10162..000 100/box
"Twists" into track, with metal plate, constructed of UV resistant plastic. Colours: 01, 03.

Twist End Stop with Cap 10163..000 100/box
"Twists" into track, with metal plate and end cap, constructed of UV resistant plastic. Colours: 01, 03.

Wall Support 25/box
2,5 x 5 cm (1"x2") return plate, powder coated. Right
Left
Colours: 01, 02, 03, 05, 06.

Track Clamp 10168..000 50/box
Track clamp with filler for rod support. Colours: 01, 02, 05, 06, 12.

Ceiling Bracket 10180..000 100/box
Slides onto the track, powder coated. Regular duty. Colours: 01, 02, 03, 05, 06, 12.

Ceiling Bracket with Slot 10181..000 100/box
Slides onto the track, powder coated. Regular duty. Colours: 01, 02, 03, 05, 06.

Smart Klick Ceiling Bracket 10182..000 100/box
"Clicks" onto track, powder coated. Install with VK screw 4mm. Colours: 01, 03, 06.

Smart Klick Double Ceiling Bracket Large 1018601000 30/box
Distance between two tracks: 90mm

Smart Klick Double Ceiling Bracket Short 1018611000 30/box
Distance between two tracks: 45mm

Ceiling Splice/Bracket 10185..000 50/box
For ceiling installation only, powder coated. Colours: 01, 02, 03, 05, 06.

Klick on Splice 10184..000 50/box
For ceiling and wall installation, powder coated. Colours: 01, 02, 03, 05, 06.

Smart Klick Wall Bracket 10202.. ... mm 20/box 15/box 10/box
"Clicks" onto track. 10 cm (4"), 12,5 cm (5"), 15 cm (6"), 20 cm (8"), 25 cm (10") and 30 cm (12") with support.

15 cm (6"), 20 cm (8") double track Powder coated. Colours: 01, 03. For light weight use only. 10206.. ... mm 15/box

Adjustable Wall bracket 10208..115 100/box
Smart klick, adjustable single from 7,5 cm (3") to 11,5 cm (4.5") Colours: 01, 03.

double from 6,5 cm (2,5") to 10 cm (4") - 15 cm (6") to 19,5 cm (7,5") Colours: 01, 03. 10208..195 50/box

Aluminium Wall bracket 10203.. ... mm
Smart klick, powder coated. Colours: 01, 03.

7,5 cm single (3") 20/box
10 cm single (4") 20/box
15 cm double (6") 15/box
20 cm double (8") 15/box
25 cm triple (10") 10/box

Smart Klick Wall Bracket 50/box 10202..035
3,5 cm (13/8") and 6 cm (23/8"). "Clicks" onto track, powder coated. One screw attachment. Colours: 01, 03. For light weight use only. 10202..060

MTS Suspension Ceiling Bracket 4518201000 4518201500 1/each
Length: 10 cm - 1 meter 1meter - 1,5 meter

Suspension Bracket Clip 1016901000 50/box
for KS, CS

Master Carrier Overlap R 10141..000 25/box
Goes through curves, works with stiffeners and baton clips, can be corded, powder coated. Colours: 01, 02, 05, 06.

Master Carrier Underlap L 10144..000 25/box
Goes through curves, works with stiffeners and baton clips, can be corded, powder coated. Colours: 01, 02, 05, 06.

Extension for Master carrier 10145..000 50/box
Powder coated. Colours: 01, 02, 05, 06.

Baton Clip 25/box
Attaches to the master carriers for over the top baton attachment. Powder coated. Colours: 01.

Baton Fiberglass 1065101 ... 125/box
With harness snap in White. 92 cm (36"), 122 cm (48"), 152 cm (60").

Compact Bending tool 1050000000 1/each
For KS/CKS
KS Bending Wheel All-in 1051000000 1/each
incl. strips

Continuous Curver 1060200000 1/box
Add on tool for the Compact Bending tool. Designed to create continuous curves and arches in any radius. Includes bending strip. For KS and CKS Track only.

Electric powered bender 1060500000 1/box
Available in 220V or 110V, to create continuous curves and arches. Minimum radius 50 cm (20").

KS Replacement Bending Strip 1060100000 1/each
For Compact Bending Tool. Length of strip: 60 cm (23 5/8").
1060300000 1/each
For continuous curver/electric bender. Length of strip: 7 mtr. (23').

KS/CKS Bending wheels 1060700000 1/set
For electric powered bender. Complete set of 3 wheels. For KS/CKS track only.

Electric powered railcutter 1061100000 1061200001 1061200002 1/each 1061200000 1/each
220 Volt EU
110 Volt USA
220 Volt UK
Replacement blade For electric powered railcutter.

Distributor:

FOREST
DRAPERY HARDWARE

FOREST
DRAPERY HARDWARE



KS
Klick System

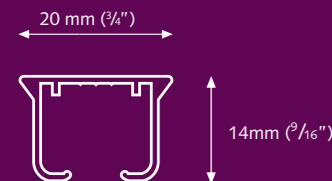
KS-CB-12-2007

Product information

- Highly efficient hand drawn system for all types of medium weight draperies.
- Quick installation with "Smart Klick" brackets for wall and ceiling applications.
- Bendable; it can be curved and reversed curved using a 10cm (4") radius or continuous curved.
- Suitable for special window decoration as circular, arch and triangle window models.
- Heavy duty clickable carriers - UV protected - for smooth and easy traversing. Offset shape for straight hanging pleats.
- Can also be used for ripplefold and accordiafold drapery systems.
- Maximum fabric weight: 4 kg per meter (3 LBS per ft.).
- Colours available: white, gold, silver, brown, black, off-white, sand, terra, red, blue, yellow and green.
- Special colours: available on request.
- Available lengths: 3 meter (9'10"), 4 meter (13'1"), 5 meter (16'4"), 6 meter (19'8"), 7 meter (23').
- Track finish: chromated powder coated with a factory applied patented dry lubricant.
- Limited lifetime warranty.

Profile

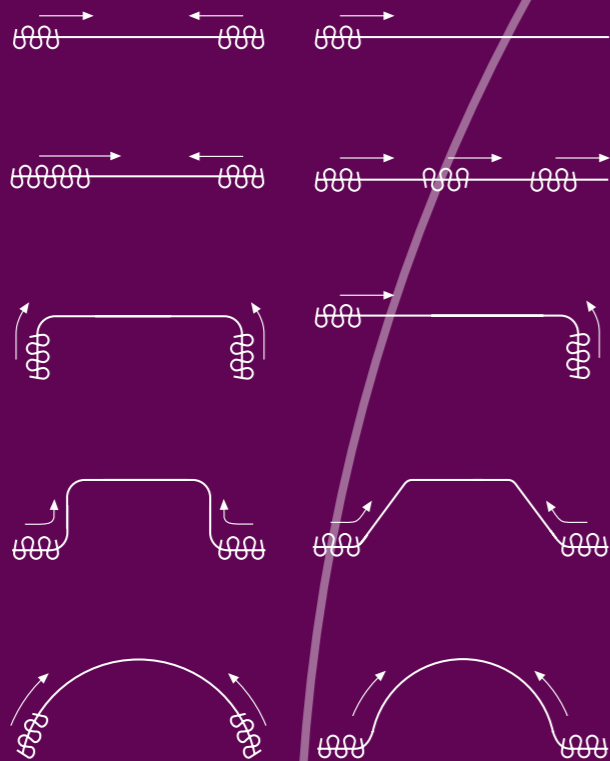
Shown actual size 1:1.
 Weight: 150 grams per meter (1.62 ounce per ft.).
 Aluminium extrusion 6063 T5.
 Dimensions: 14mm x 20mm (9/16" X 3/4").



For use in

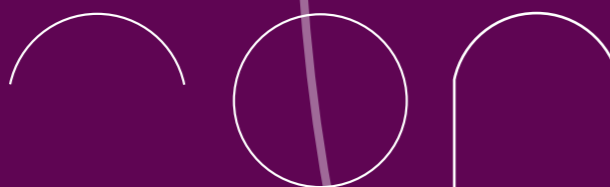
Hotels - offices - schools - healthcare - residences - boats - campers - planes or anywhere an efficient hand drawn system is required.

Applications



Special window decoration

Special bends

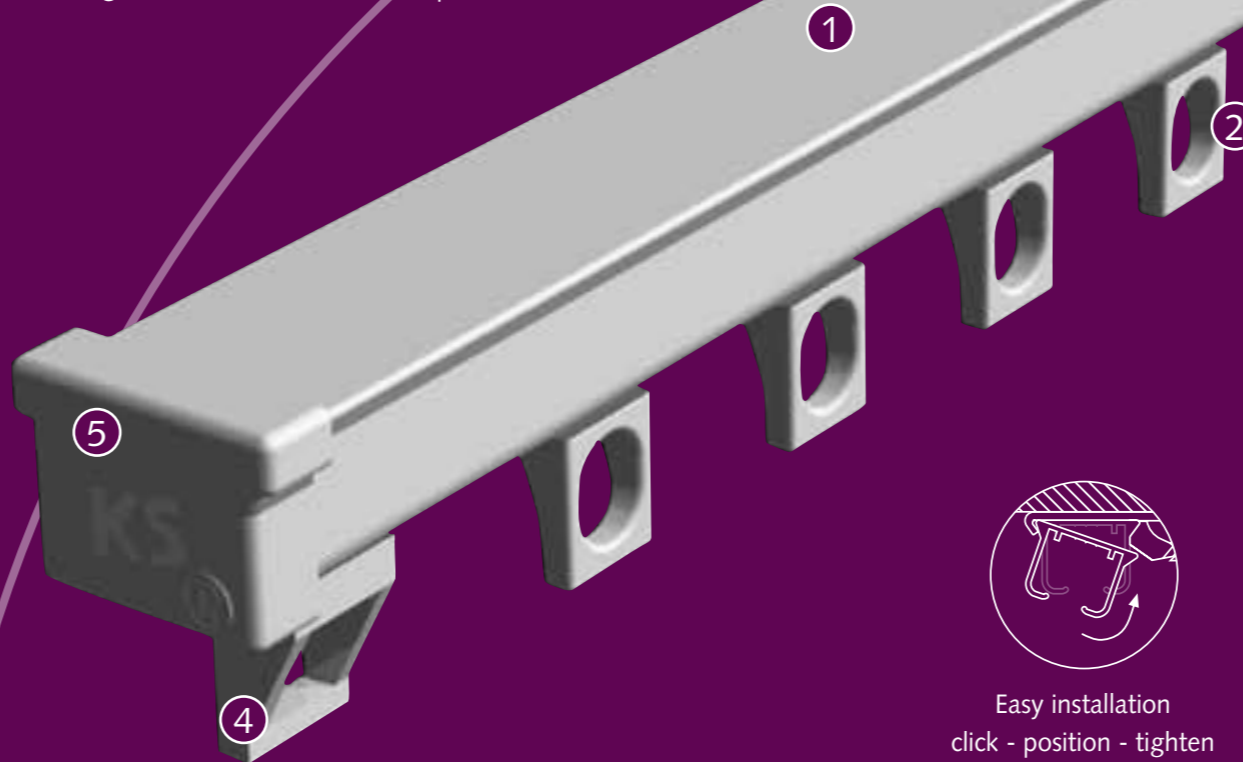


Bending/curving

The track can be curved and reversed curved using a 10 cm (4") radius. Continuous curving can easily be done using the continuous curver. Also the possibility of curving for special windows, such as arches, bows and circles.



Bending instructions available on request.



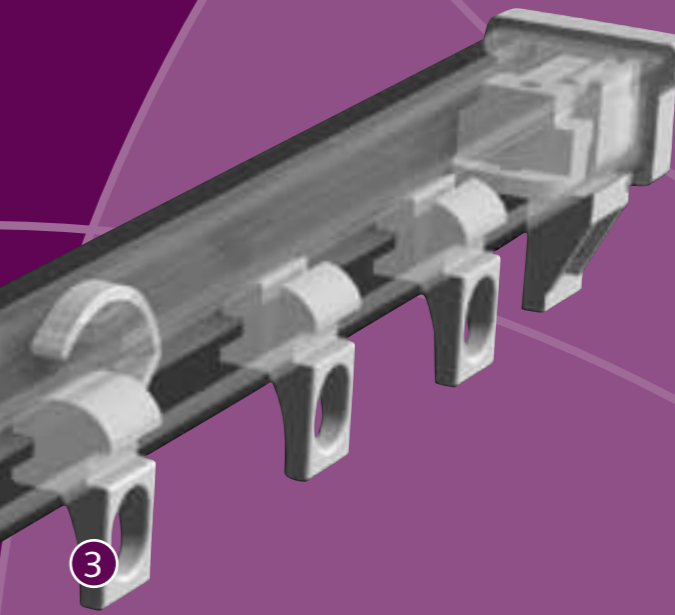
- 1 KS track
- 2 Carrier
- 3 Stop carrier
- 4 End stop
- 5 End cap



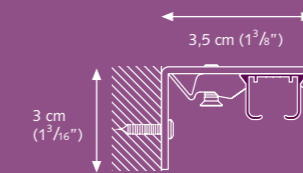
Easy installation
click - position - tighten



clickable carrier



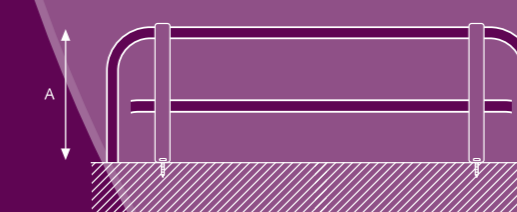
- 3 Wall bracket



A) Min. 10 cm (4")

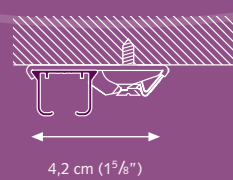


A) Min. 15 cm (6")



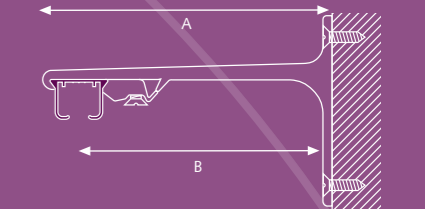
Mounting Brackets

Ceiling Bracket



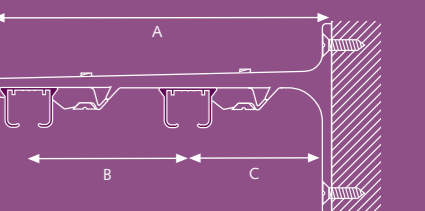
Wall bracket aluminium single

- A) 7,5 cm (3") : B) 6,3 cm (2")
 A) 10 cm (4") : B) 8,8 cm (3")



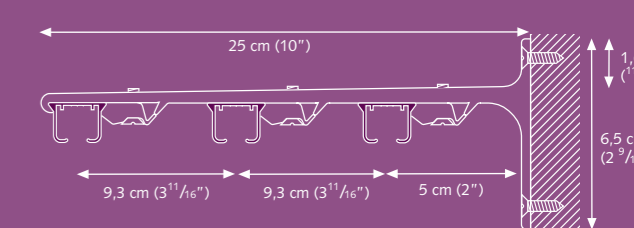
Wall bracket aluminium double

- A) 15 cm (6") : B) 9,2 cm (3") , C) 4,5 cm (2")
 A) 20 cm (8") : B) 9,2 cm (3") , C) 9,5 cm (4")



Wall bracket aluminium triple

25 cm (10")



Other brackets are available, see component listing
 Two brackets at each end 60 cm (24") apart and up to 95 cm (36") over remainder of track depending on weight of treatment